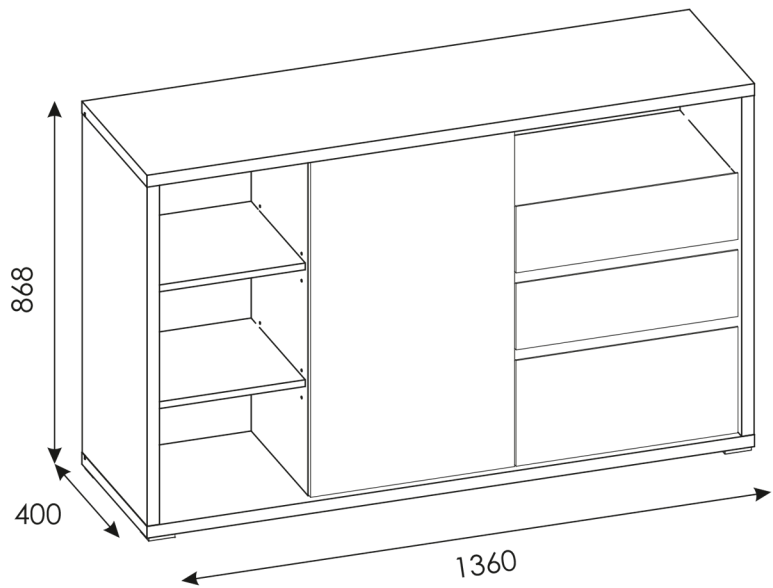
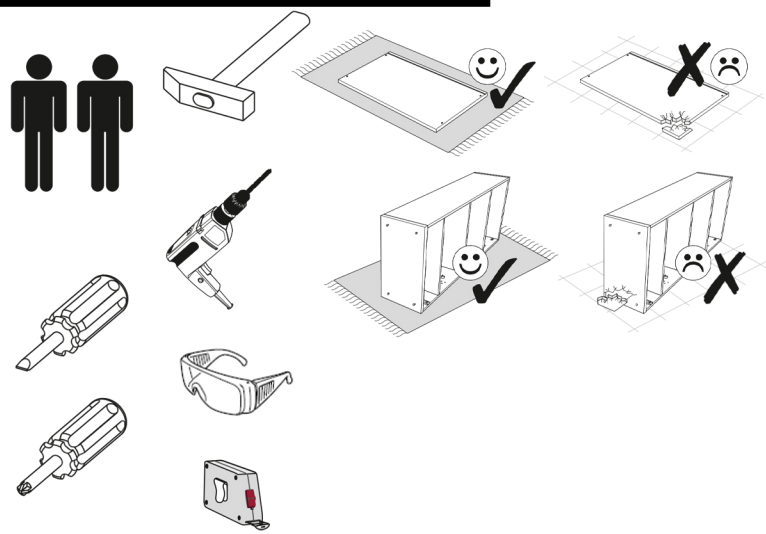
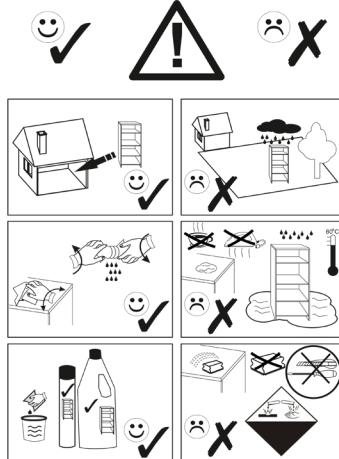
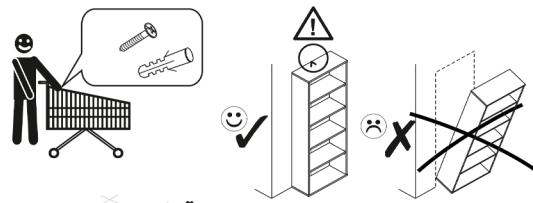
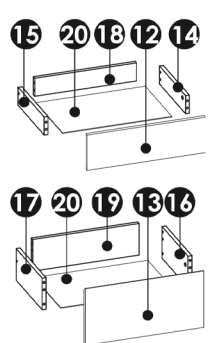
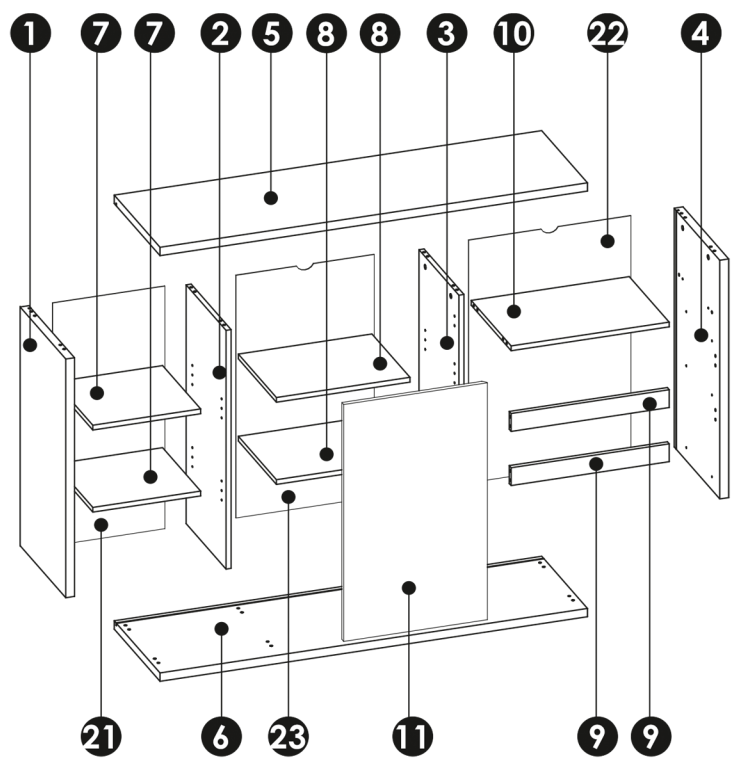
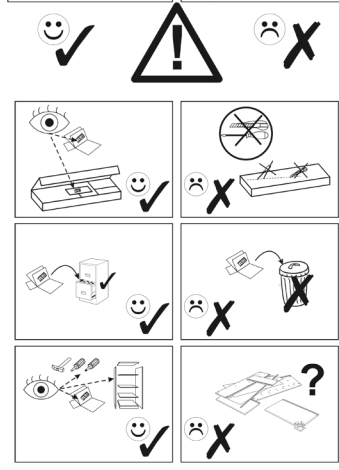


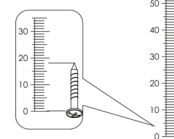
SHELDON 43

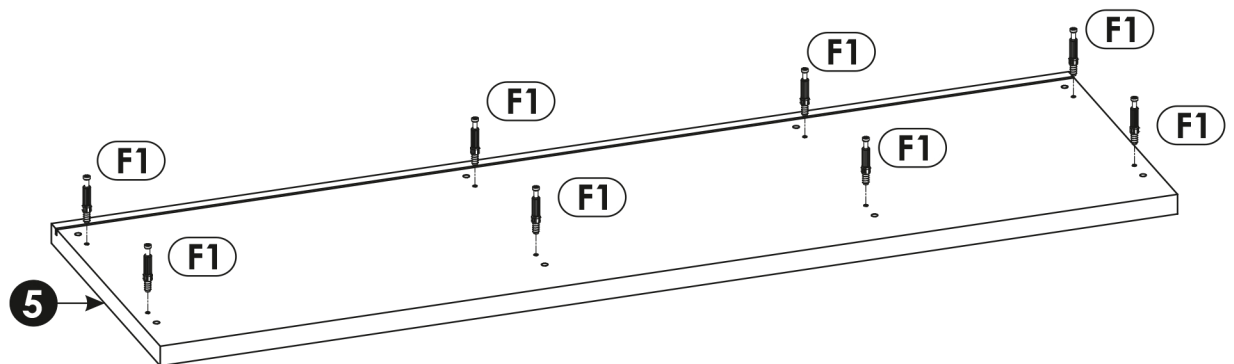
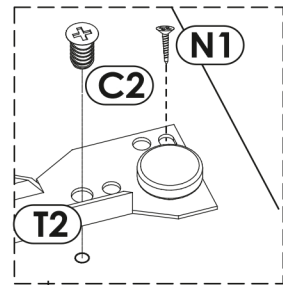
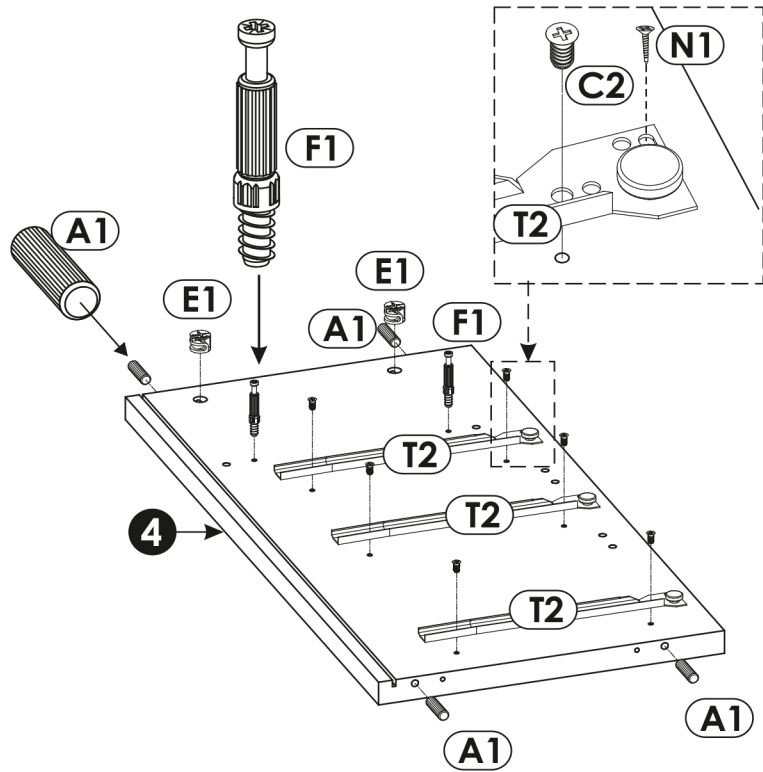
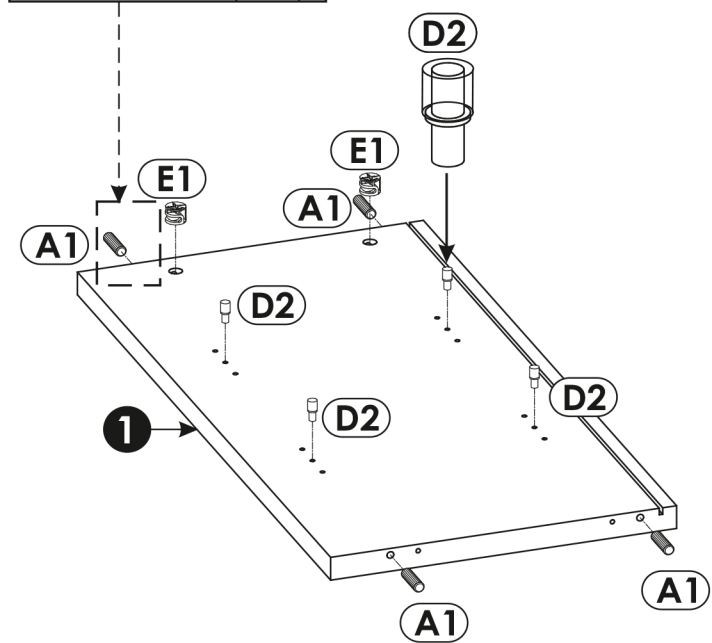
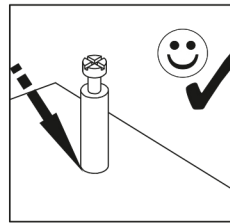
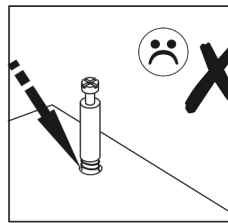
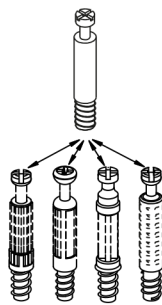
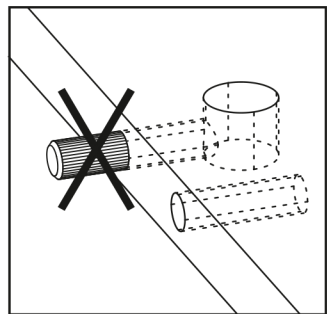
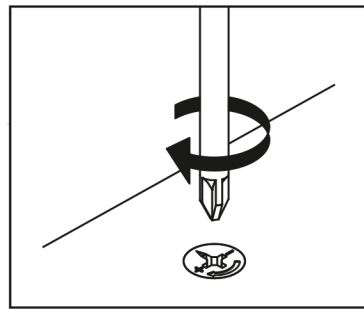
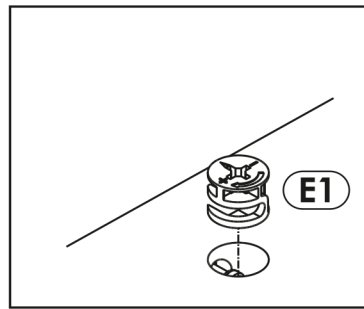
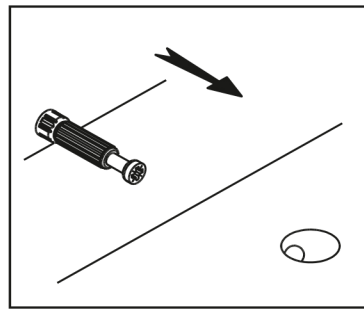
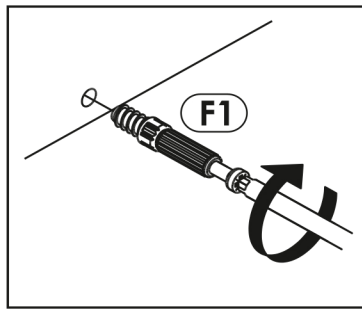


1	802	399	28 x1	1/2
2	802	349	16 x1	2/2
3	802	349	16 x1	2/2
4	802	399	28 x1	1/2
5	1360	400	28 x1	2/2
6	1360	400	28 x1	2/2
7	343	333	16 x2	1/2
8	425	333	16 x2	2/2
9	503	60	16 x2	1/2
10	503	349	16 x1	1/2
11	457	796	16 x1	1/2
12	497	157	16 x2	1/2
13	497	250	16 x1	1/2
14	330	80	16 x2	1/2
15	330	80	16 x2	1/2
16	330	140	16 x1	1/2
17	330	140	16 x1	1/2
18	446	80	16 x2	1/2
19	446	140	16 x1	1/2
20	477	335	3 x3	2/2
21	815	357	3 x1	2/2
22	815	516	3 x1	2/2
23	815	440	3 x1	1/2

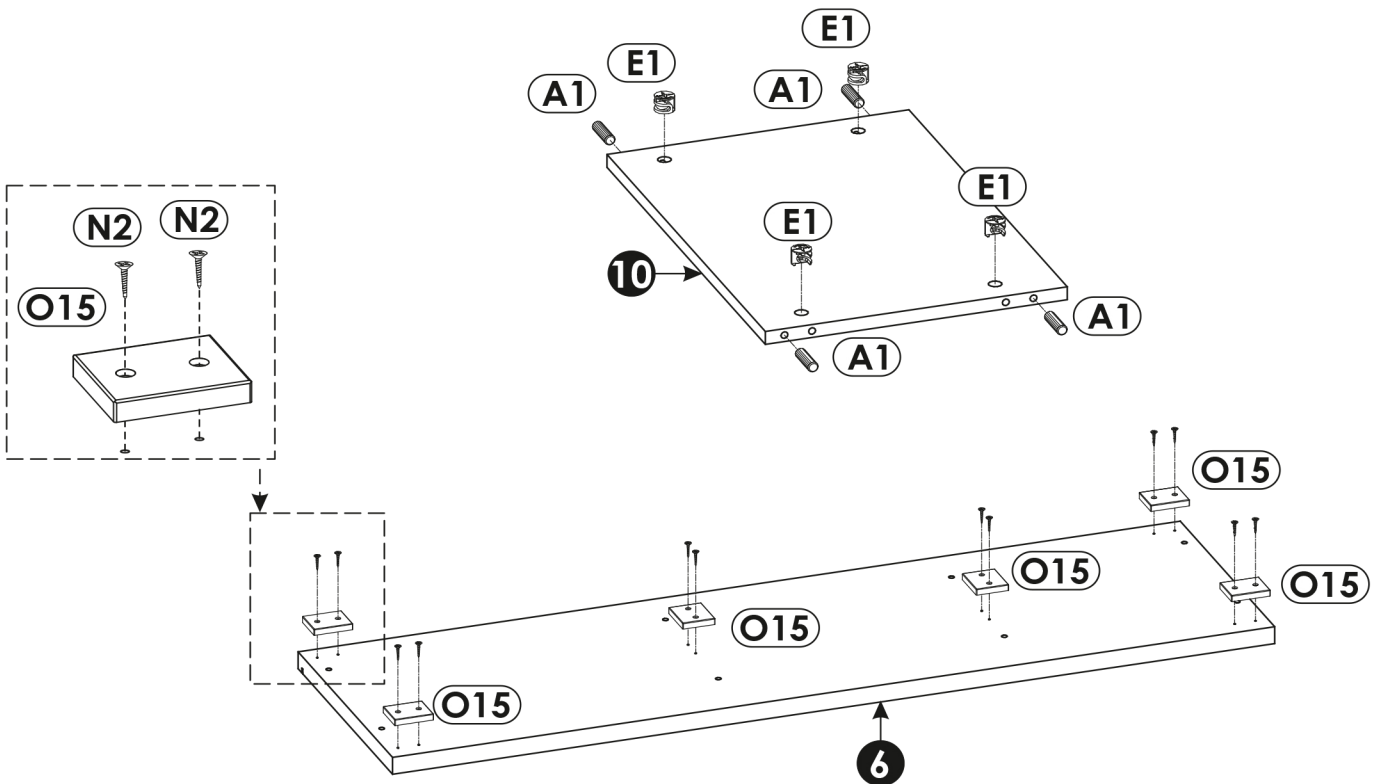
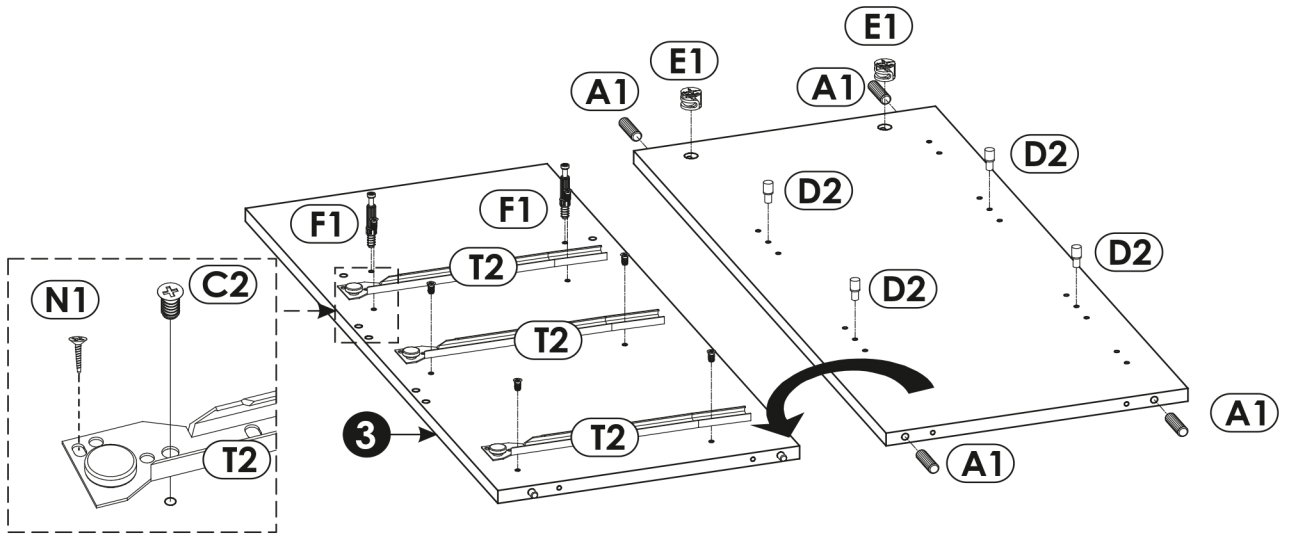
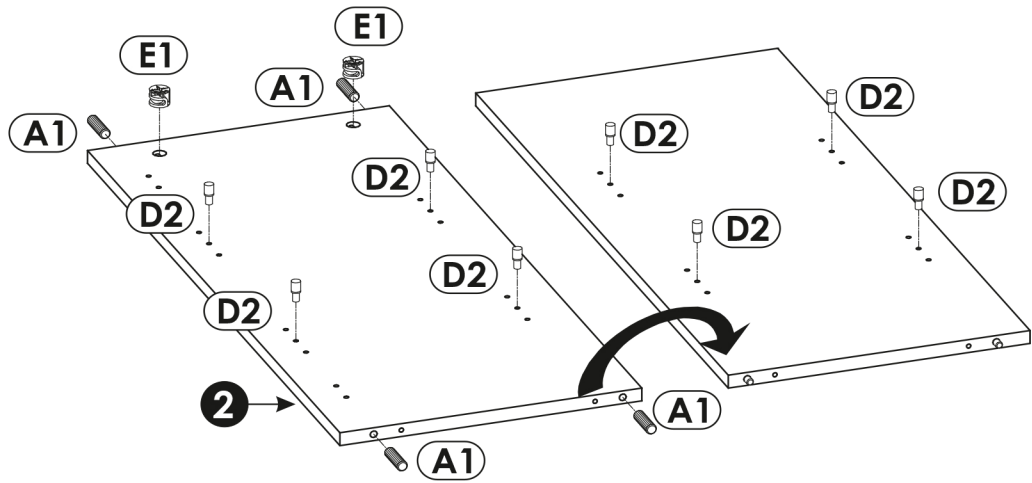


A1 x44 ø6 x 35mm	B0 x2	B1 x2
C1 x4 EURO 4 x 13mm	C2 x12 EURO 5 x 13mm	D2 x16
E0 x18	E1 18 ø15 x 12mm	F1 x18
G0 x14	G1 x4 ø7 x 50mm	G2 x8 ø7 x 60mm
I2 x2 4 x 16mm	J1 x18 US 3 x 20mm	M x1
N1 x30 US 3 x 16mm	N2 x12 US 3.5 x 16mm	O15 x6
PO x4 ø5	Q9 x2	R1 x10
R4 x15	R8 x8	T2 x3
Z x1		L-300

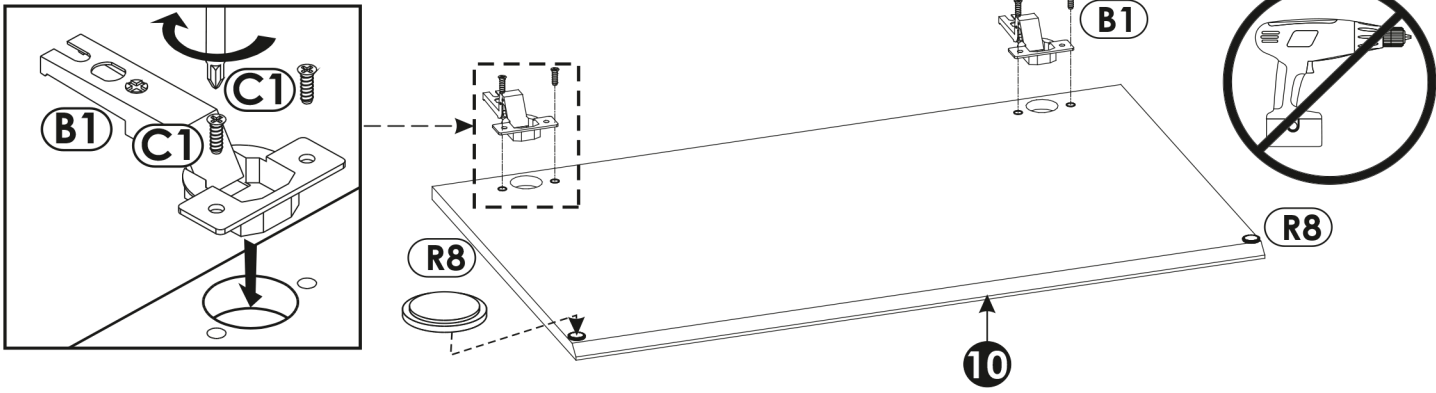




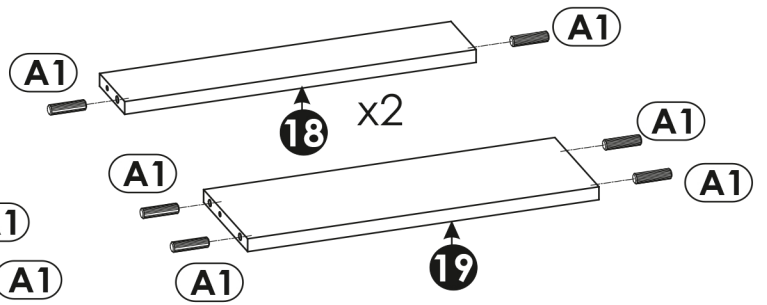
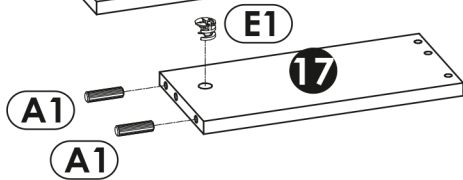
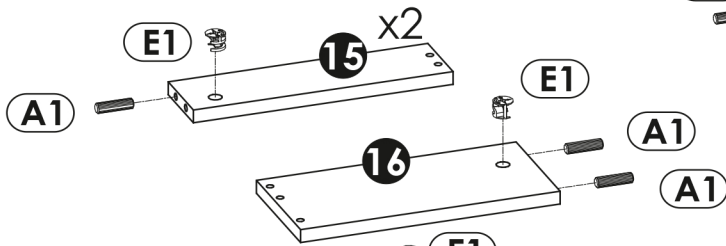
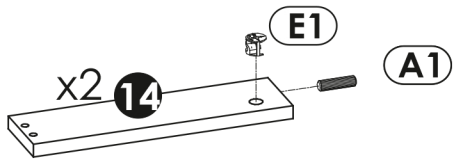
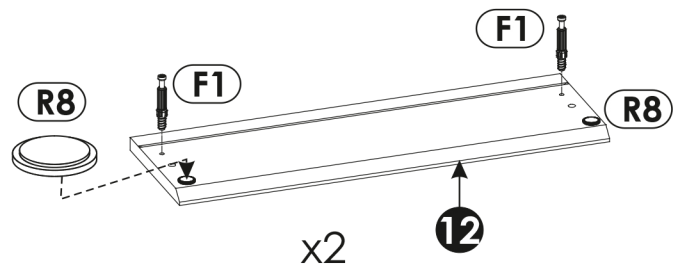
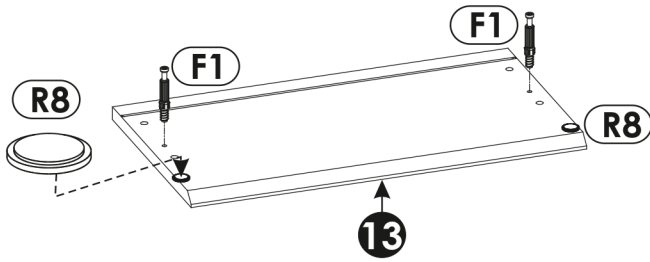
2



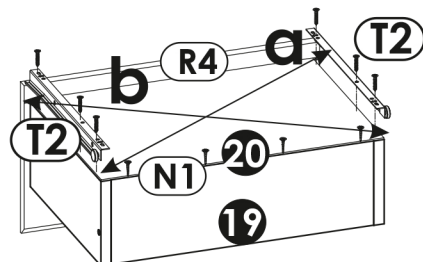
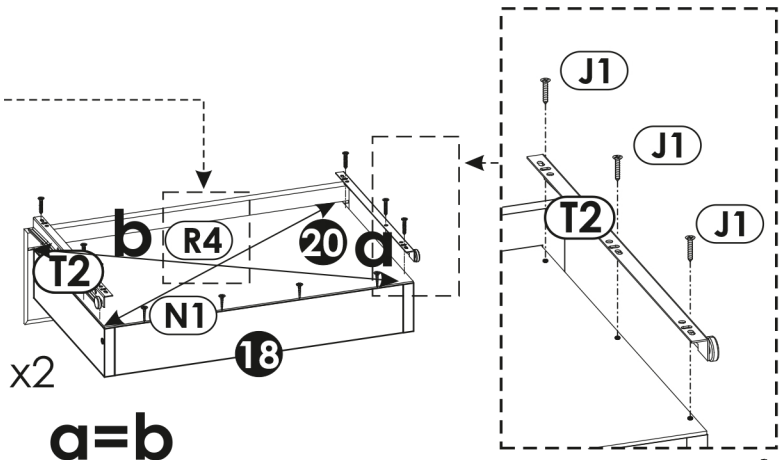
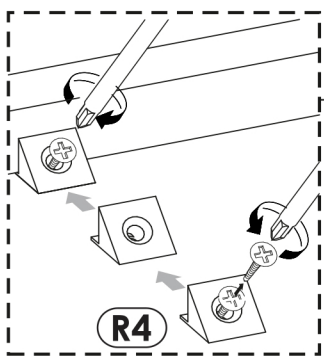
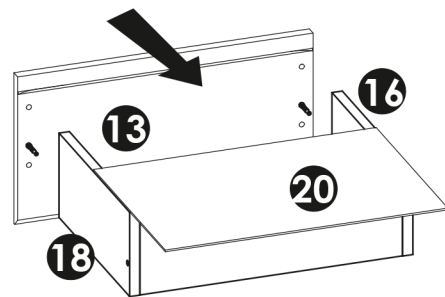
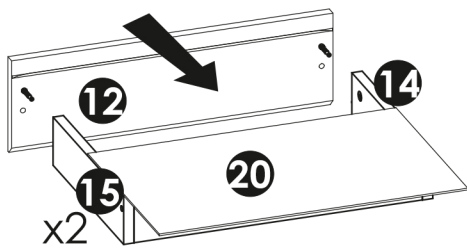
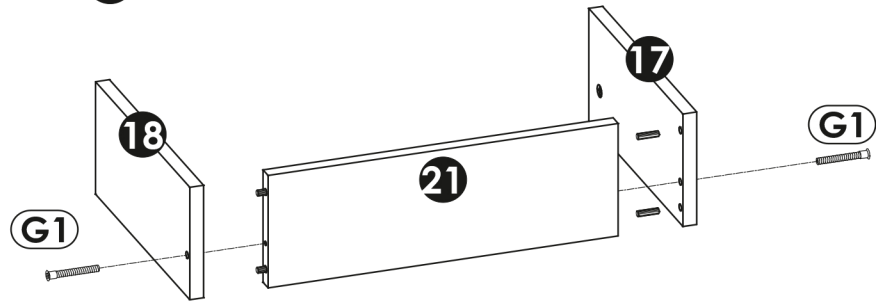
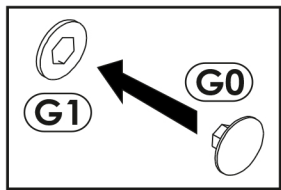
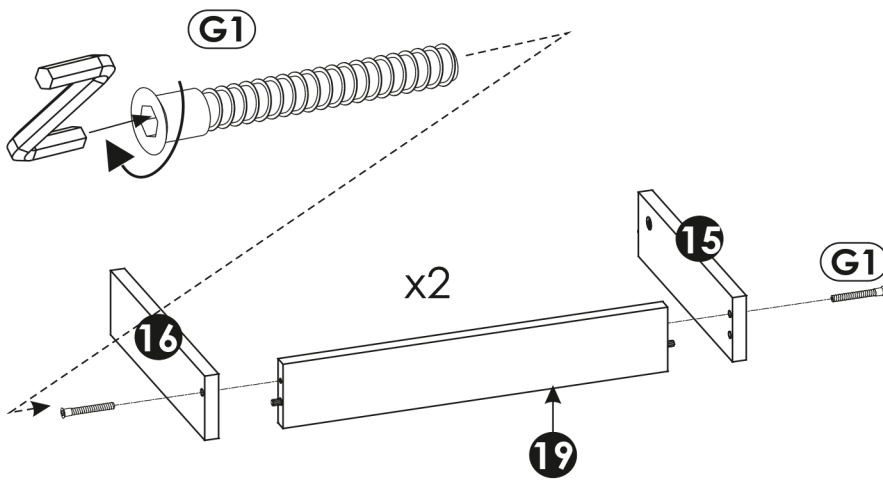
3 ▶



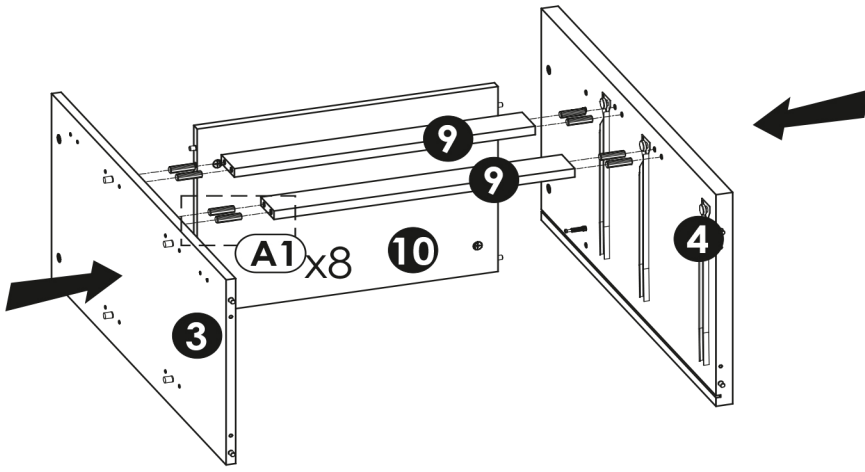
4 ▶



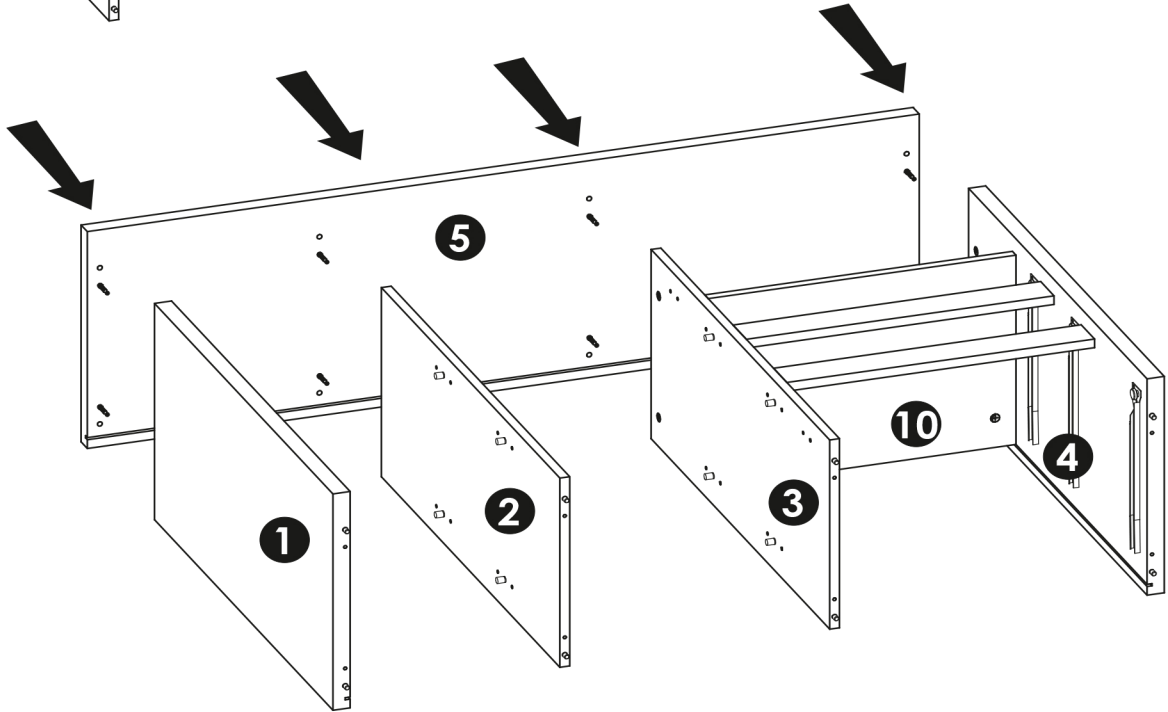
5 ▶



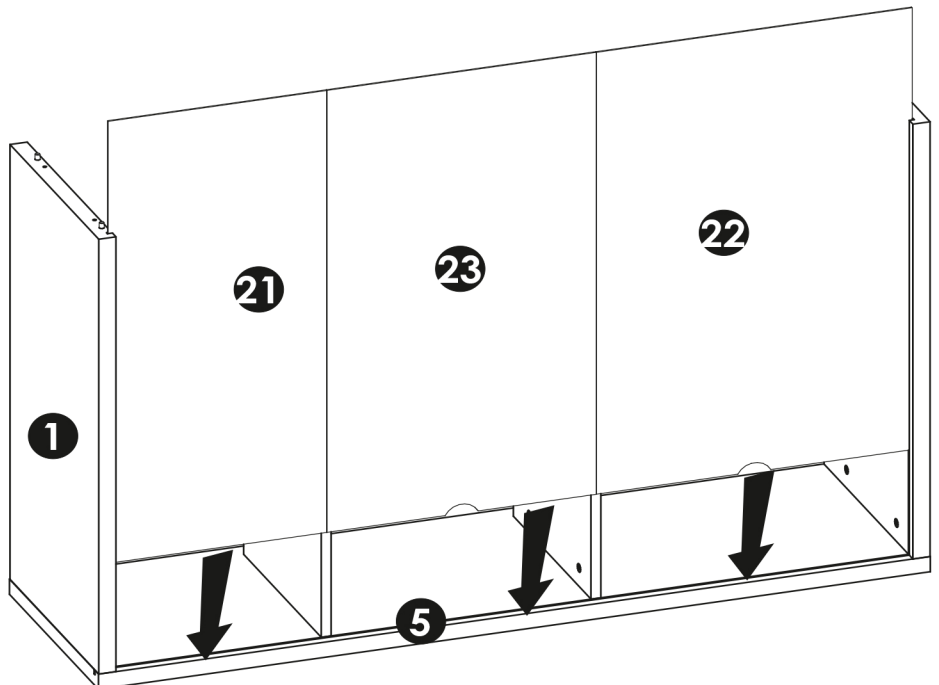
6 ▶



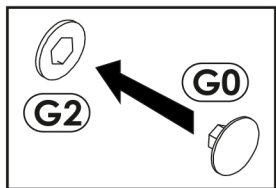
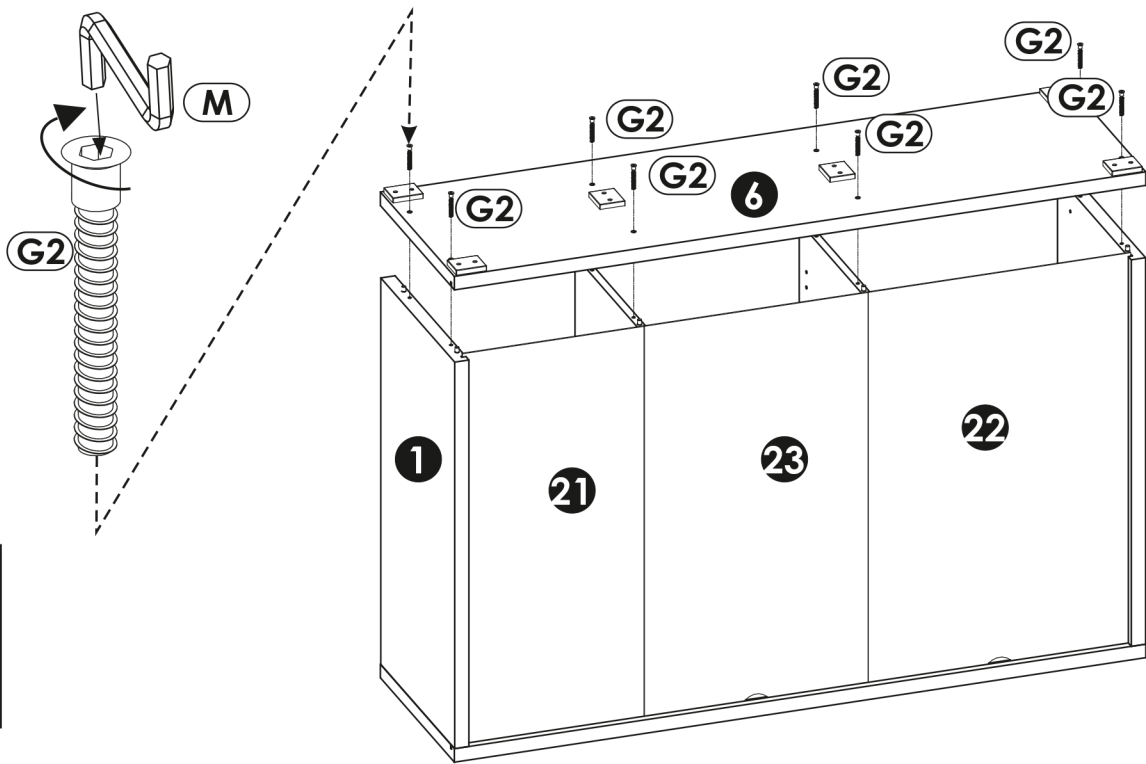
7 ▶



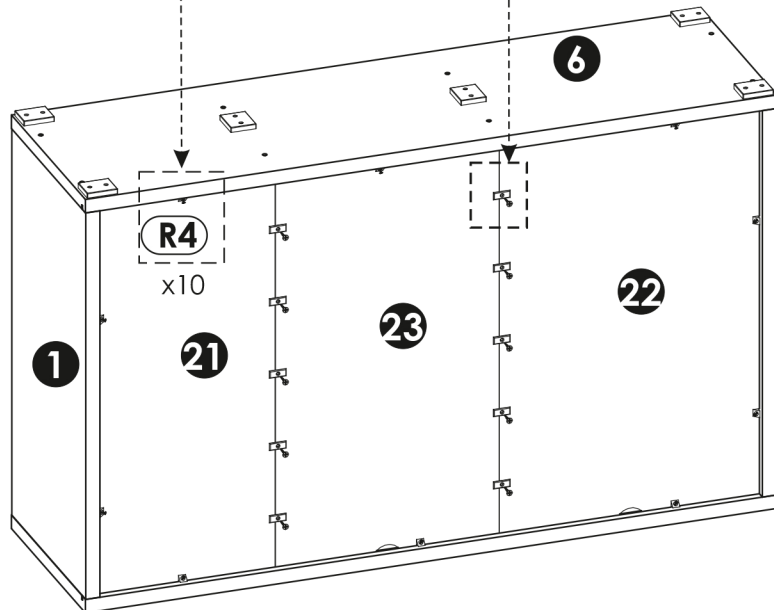
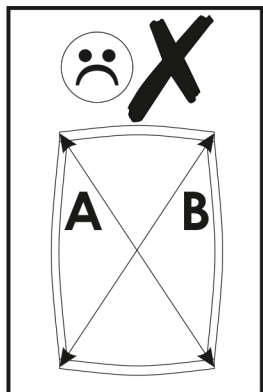
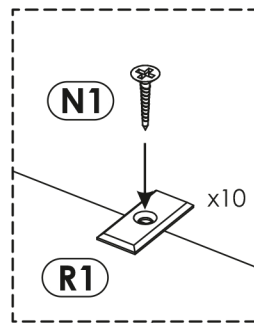
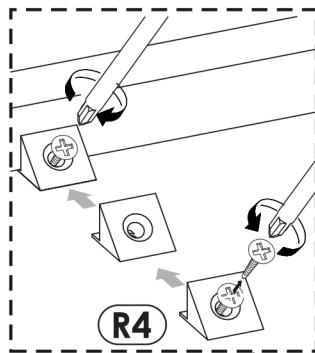
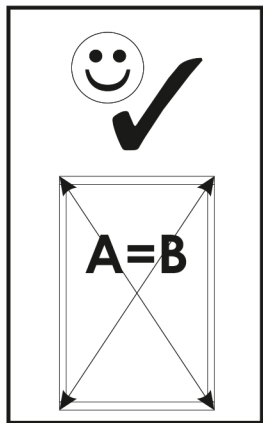
8 ▶

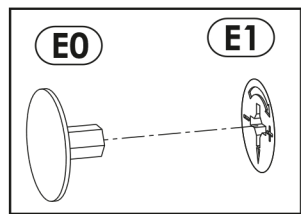
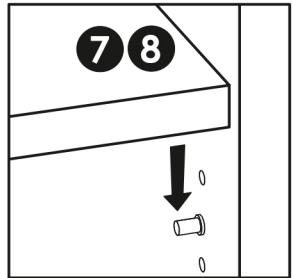
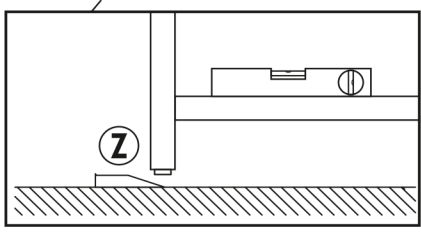
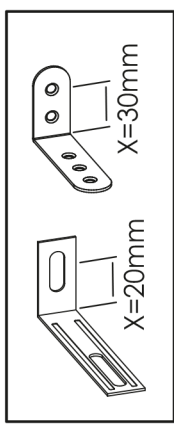
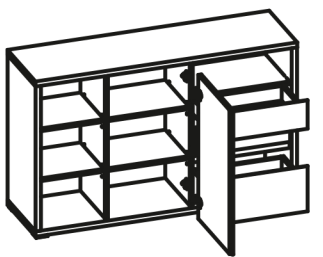
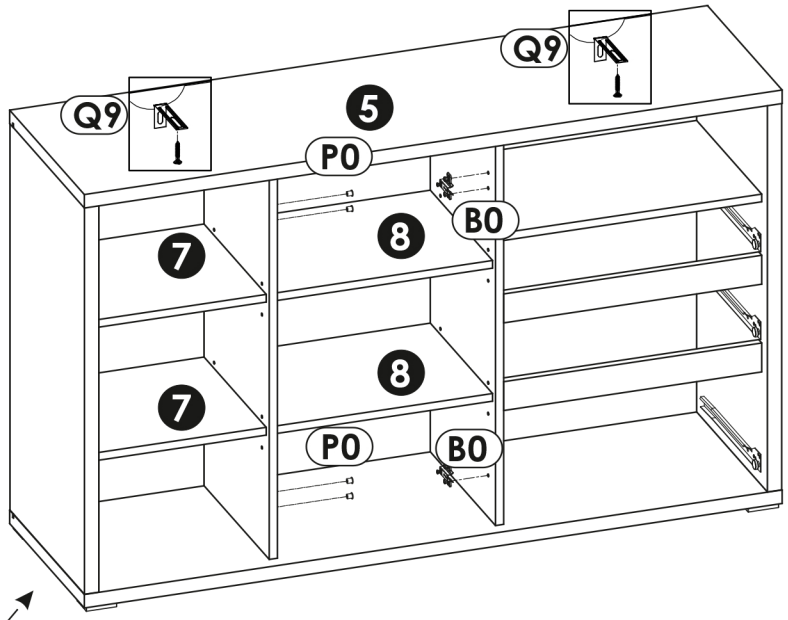
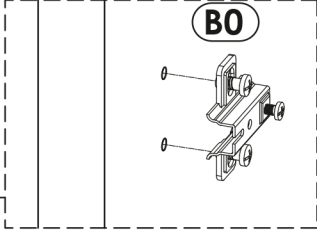
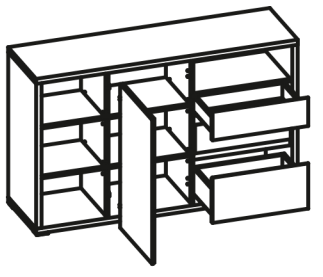
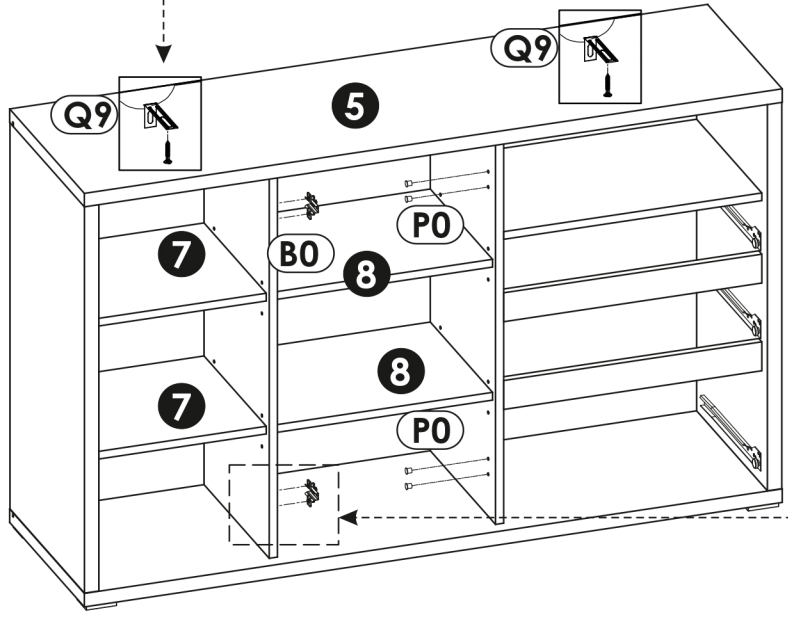
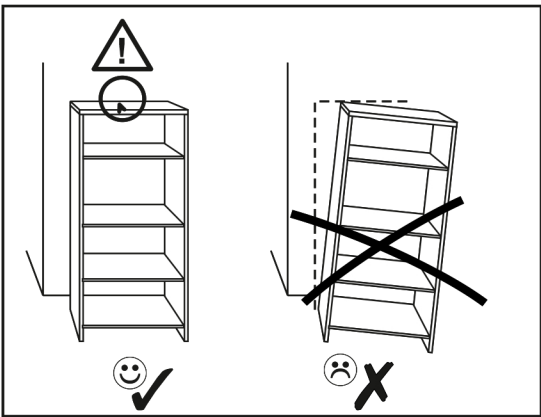
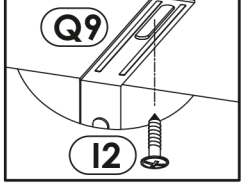
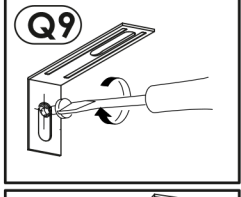
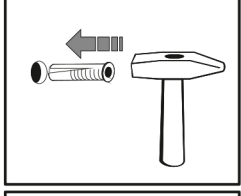
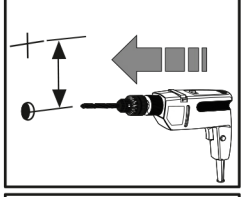
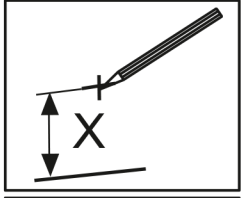
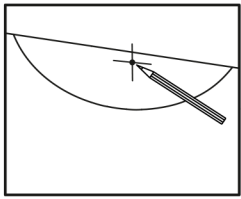


9 ▶

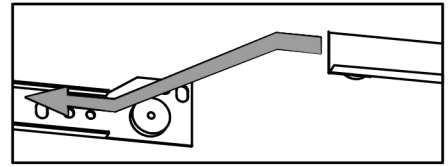
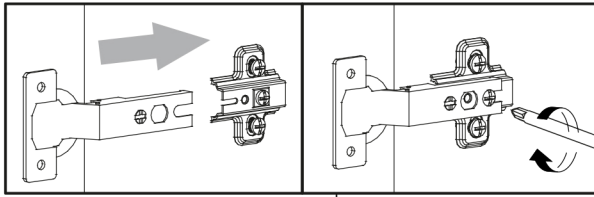


10 ▶





12 ▶



max.
5 kg

max.
5 kg

max.
5 kg

max.
10 kg

max.
30 kg

